

CYBER CRANKS

In addition to our 2-piece OR and GR cranks, we also offer a steel crank with square taper mount. The separate bottom bracket offers you the possibility to achieve an perfect solution between QF and chainline with different spindle lengths. The common SRAM 3-hole standard accepts Direct Mount or one of our spiders. This means you can install 1, 2 or even 3 chainrings.

SCOPE

CYBER CRANKS ST
3x M5 bolts for chainring assembly

INTENDED USE

CYBER CRANKS ST have been developed and tested for use in Gravel and XC areas. Enduro or Downhill use is not recommended and is not covered by the warranty. The maximum permitted rider weight is 100kg.

SPECS

JIS Square Taper standard
Custom cold drawn CrMo steel
tubes according Veloespec75 PRO
SRAM 3-Bolt standard
Integrated crank puller
M8 crank bolts
Q-Factor: 158mm @113mm spindle
Weight: 495g including all hardware

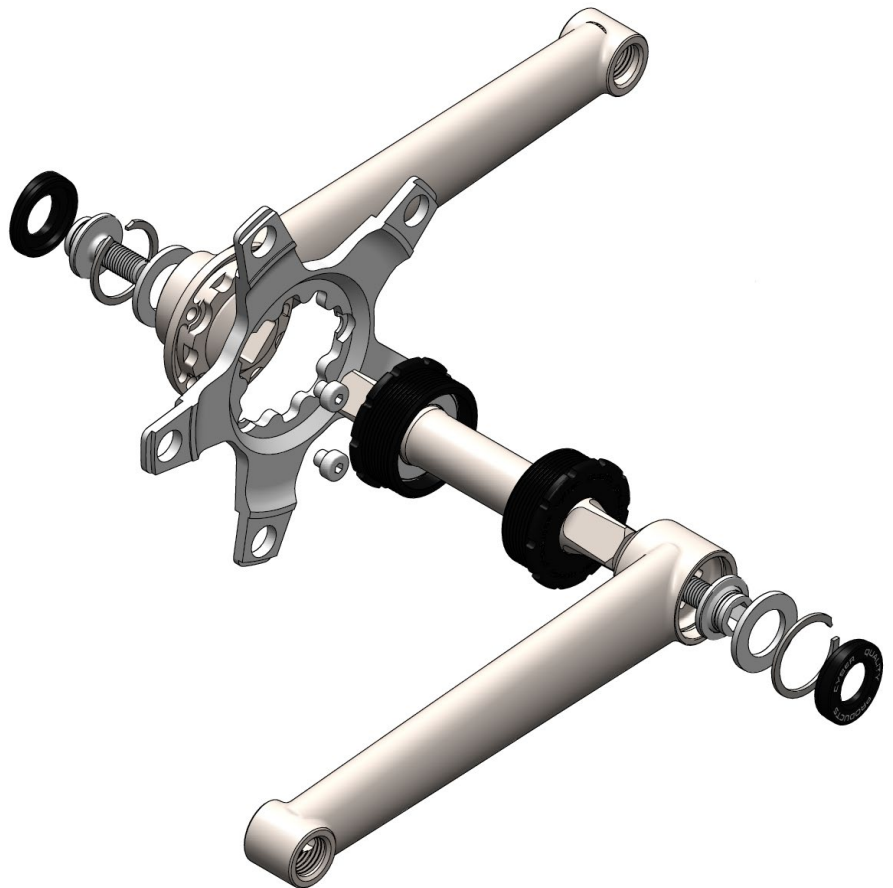
CHAINLINE

All specifications are based on
113mm spindle length. Please adapt for different spindle lengths.

Direct Mount 3mm Offset: 45,5mm
Direct Mount 6mm Offset: 42,5mm

CC Spider Single - Outer: 49,5mm
CC Spider Single - Inner: 43,5mm

CC Spider Triple - Outer: 44,0mm
CC Spider Triple - Middle: 37,5mm
CC Spider Triple - Inner: 31,0mm



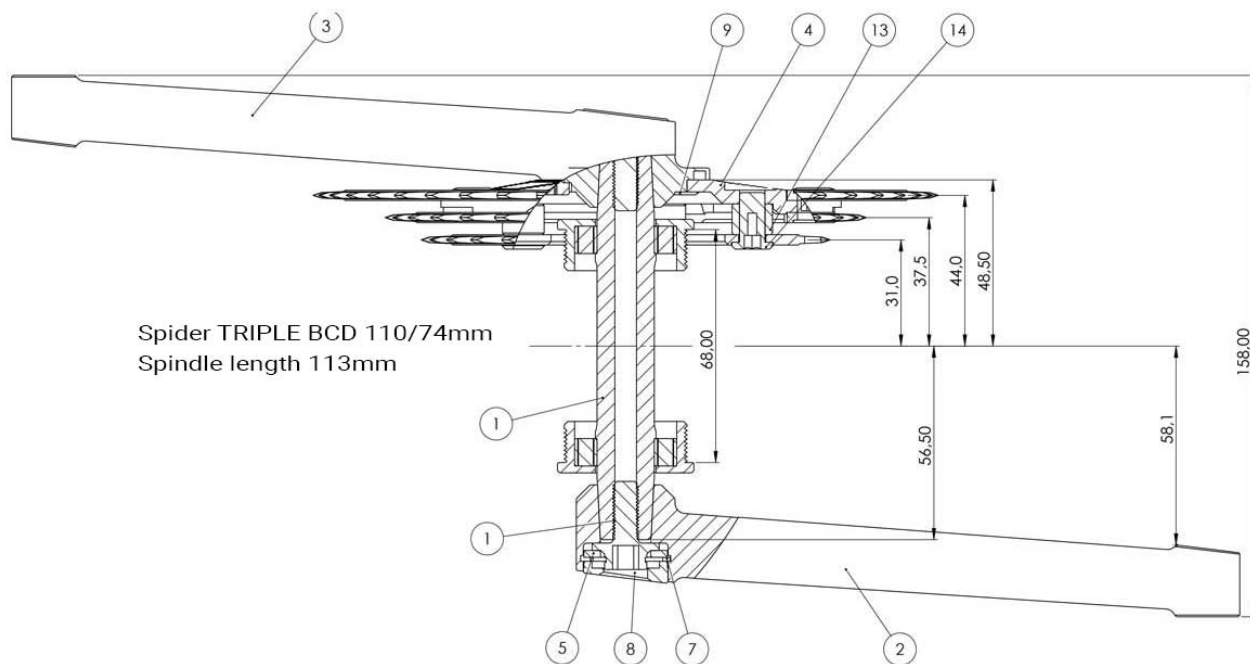
ASSEMBLY (Triple-Chainrings shown)

The cranks come with following components:

Crankarm Left (2)
Crankarm Right (3)
Retaining clip (7)
Washer (5)
Cap (8)
Assembling bolts (9)

Not included:

Bottom bracket (1)
Spider (4)
Spacer for Triple Spider (13)
Chainring bolts for Triple Spider (14)



The square of the inner bearing should be clean and free of grease. To fit the cranks, use an 8 mm Allen key and tighten the screw to max. 25 Nm. A higher tightening torque can damage the integrated puller. The square of the inner bearing should be clean and free of grease. After approx. 50 km of riding, please check the fit of the crank bolt and retighten if necessary.

The crank bolt is held in place by a replaceable retaining ring and is located under the cover cap. The cap is crimped and can be removed for servicing.

WARRANTY

The product is guaranteed for 2 years for the original purchaser. The warranty claim is excluded in the event of improper assembly, improper use or accidents.

cybercycles

07743 Jena
Germany
www.cybercycles.de

©2024 cybercycles